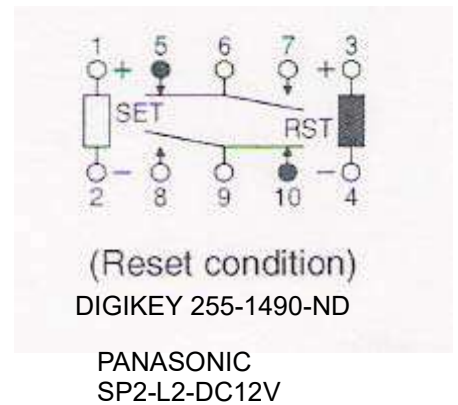
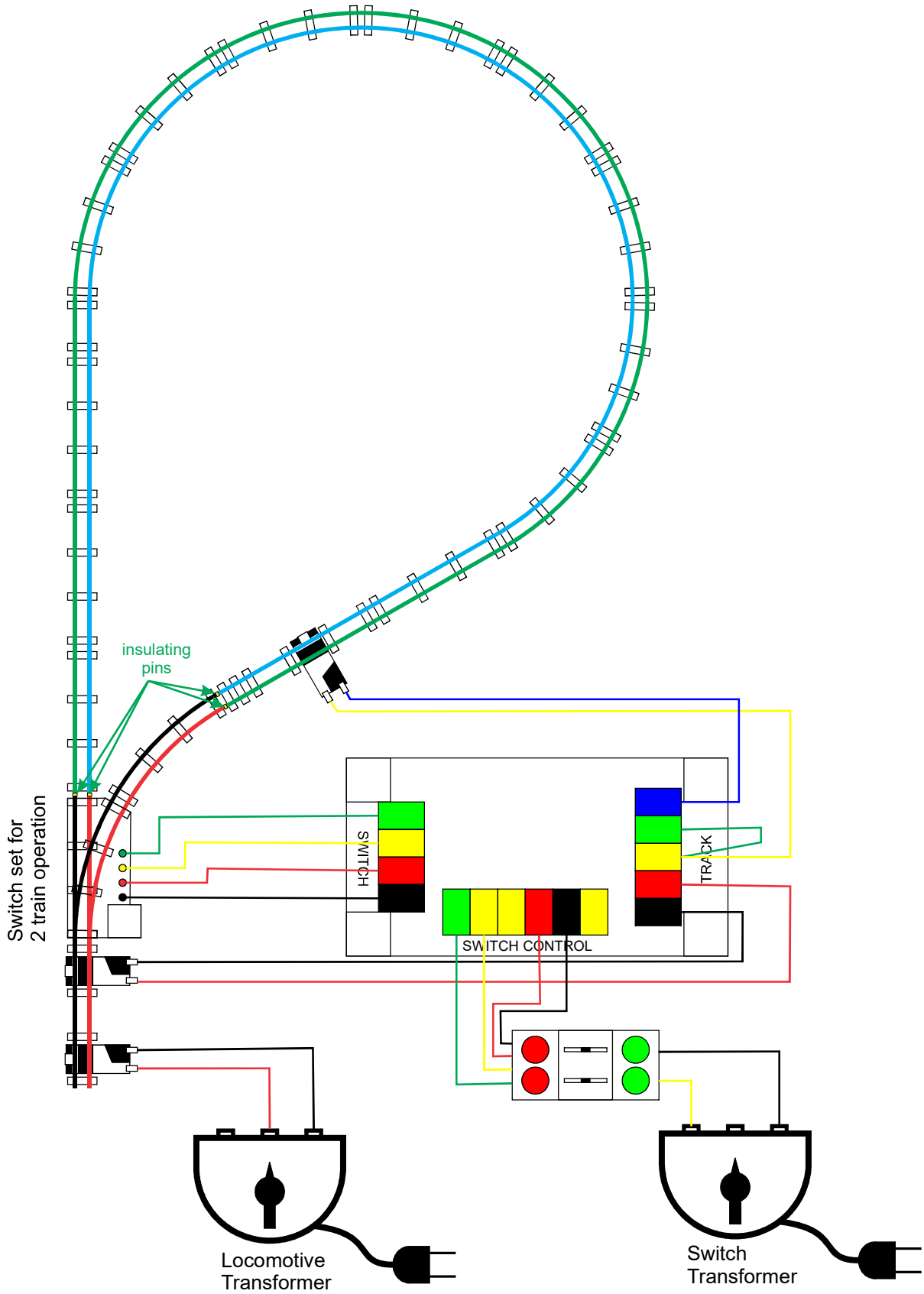


12 volt DPDT latching relay with
 10 or more amp contacts



ALTERNATE WIRING



WITH AUTOMATIC SWITCHING

